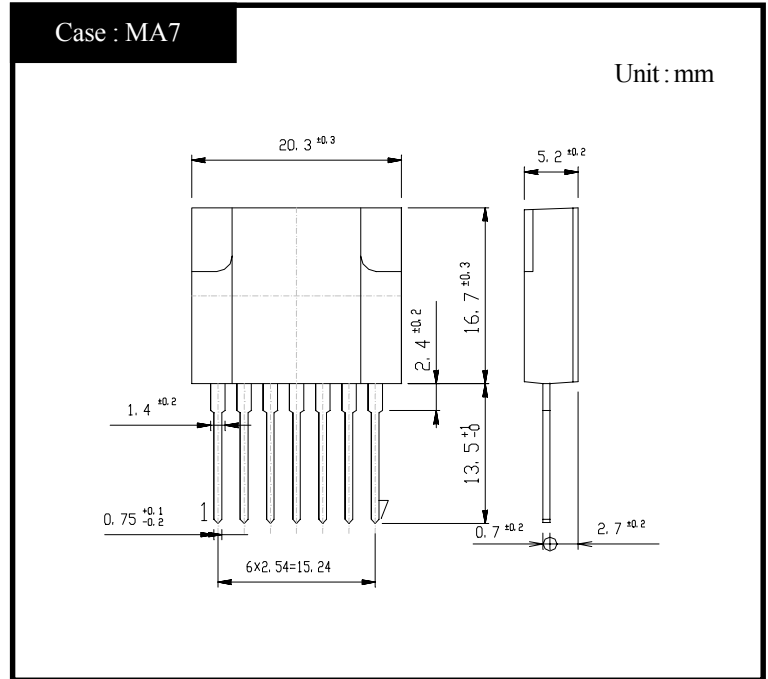


# MA2830

## OUTLINE DIMENSIONS



## RATINGS

### ●Absolute Maximum Ratings

Item	Symbol	Conditions	Ratings		Unit
			P Class	N Class	
Storage Temperature	T <sub>stg</sub>		-30~125	-30~125	°C
Operating Temperature	T <sub>op</sub>	Case Temperature	-20~125	-20~125	°C
Junction Temperature	T <sub>j</sub>		150	150	°C
Peak Input Voltage	V <sub>in</sub>	②+,④-,Fig.1 is Measurement Circuit of Peak Input Voltage V <sub>in</sub> and Collector Cutoff Current I <sub>CEX</sub> .	850	850	V
Input Current	I <sub>in</sub>	Pulse Pulse Width 150 μs MAX, Duty1/2, Sawtooth Wave, Peak Value, ②+,④-	8	8	A
Maximum Operating Frequency	f(max)		200	200	kHz
Maximum Power Dissipation	P <sub>D</sub>	T <sub>a</sub> =25°C	3	3	W
	P <sub>D</sub>	Heatsink T <sub>c</sub> =100°C	22	22	W
Dielectric Strength	V <sub>dis</sub>	Terminals To Case AC 1 min	2	2	kV
Insulation Resistance		Terminals To Case 500VDC	100	100	MΩ
Fold Back Control Voltage	V <sub>CONT(max)</sub>	Fold Control Resistance=0Ω Duty 1/2, ④,⑦	±8	±8	V
Fold Back Control Current	I <sub>CONT(max)</sub>	④-,⑥+	100	100	mA

### ●Electrical Characteristics (T<sub>c</sub>=25°C)

Item	Symbol	Conditions	Ratings		Unit	
			P Class	N Class		
Q1	Collector Cutoff Current	I <sub>CEX</sub>	V <sub>CE</sub> =850V, Fig.1 is Measurement Circuit of Peak Input Voltage V <sub>in</sub> and Collector Cutoff Current I <sub>CEX</sub> , ②+,④-	MAX 0.1	MAX 0.1	mA
	DC Current Gain	h <sub>FE</sub>	V <sub>CE</sub> = 5V, I <sub>C</sub> = 3.0A, ②+,④-,⑤I <sub>B</sub>	13~26	8~16	
	Collector to Emitter Saturation Voltage	V <sub>CE(sat)</sub>	I <sub>C</sub> =3.0A, I <sub>B</sub> =0.6A, ②+,④-,⑤I <sub>B</sub>	MAX 1.0	MAX 1.0	V
	Thermal Resistance	θ <sub>jc</sub>	Junction to Case	MAX 2.26	MAX 2.26	°C/W
D1	Reverse Current	I <sub>R</sub>	V <sub>R</sub> =800V,①+,②-	MAX 10	MAX 10	μA
	Forward Voltage	V <sub>F</sub>	I <sub>F</sub> =0.6A,①-,②+	MAX 1.7	MAX 1.7	V
Driving Saturation Voltage	V <sub>D(sat)</sub>	I <sub>C</sub> =1.5A, I <sub>B</sub> =0.3A, ⑤+,④-	MIN 1.7	MIN 1.7	V	
			MAX 2.3	MAX 2.3		

● Standard Operating Condition • Design Standard For Application Circuit

Item	Conditions	Ratings		Unit
		P Class	N Class	
Input Rated Voltage		AC90~274	AC90~274	V
Output Nominal Wattage		50	50	W
Output Nominal Voltage		12	12	V
Output Nominal Current		4	4	A

● Standard Operating Condition • Standard Operating Characteristics (Ta=25°C)

Item	Conditions	Ratings		Unit		
		P Class	N Class			
Minimum Input Full Load Output Voltage	Vin=90V, IO=4A	12.0±0.6	12.0±0.6	V	Fig 2, ① Refer	
Maximum Input Light Load Output Voltage	Vin=274V, IO=0.4A	12.0±0.6	12.0±0.6	V	Fig 2, ② Refer	
AC Input Voltage	IO=4A	MAX 85	MAX 85	V		
Over Current Protection	Foldback Current	Vin=274V, VO=10V	MAX 7	MAX 7	A	Fig 2, ③ Refer
	Short Circuit	Vin=274V, RO=0.5Ω	Nodamage To Any Device, Automatic Recovery.		-	Fig 2, ④ Refer
Output Ripple Noise	Vin=90~274V, IO=0.4~4A	MAX 150	MAX 150	mV P-P		

Figure in ○=Terminal Sign



Fig1. Measurement Circuit

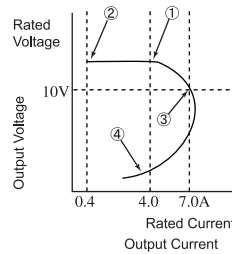
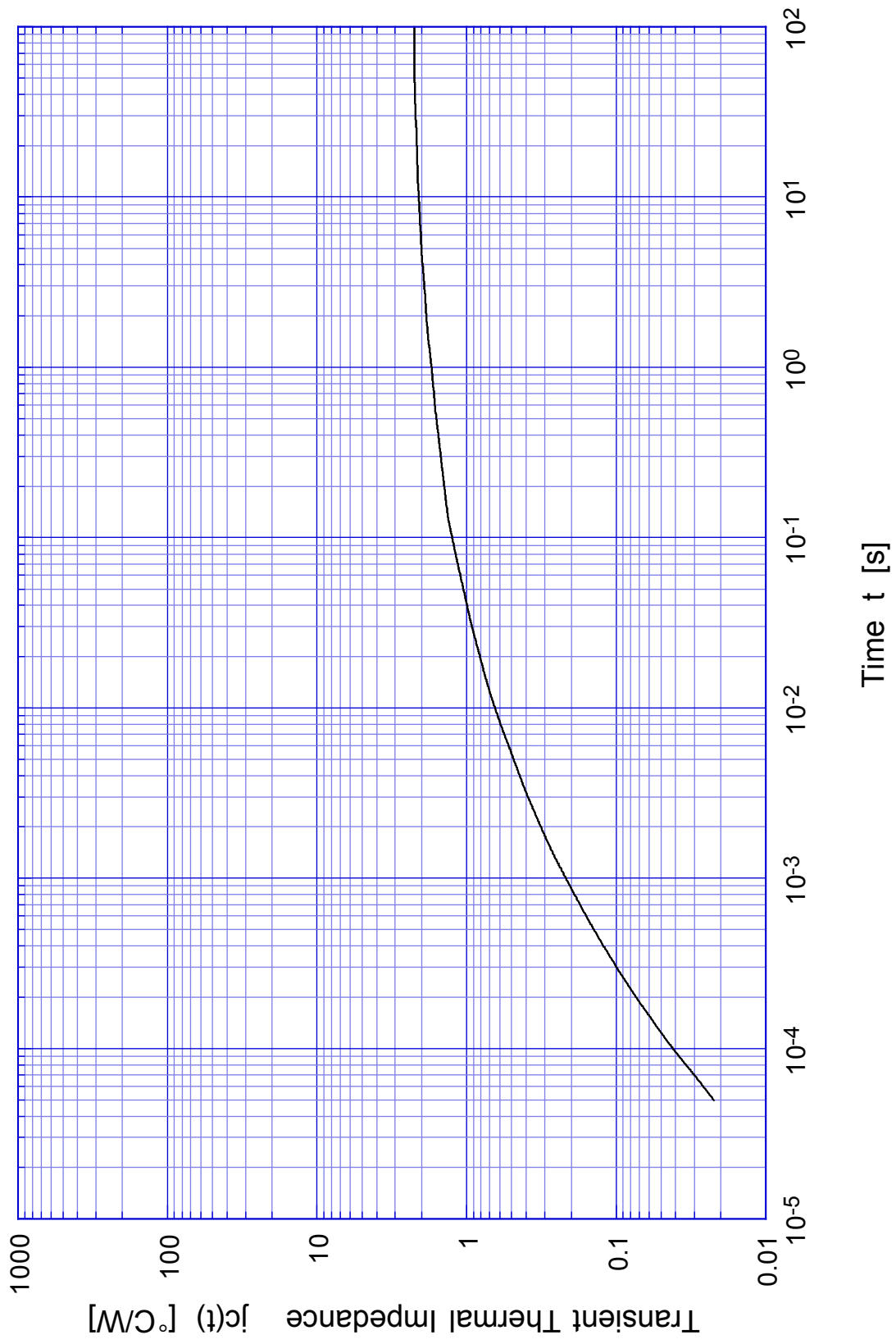


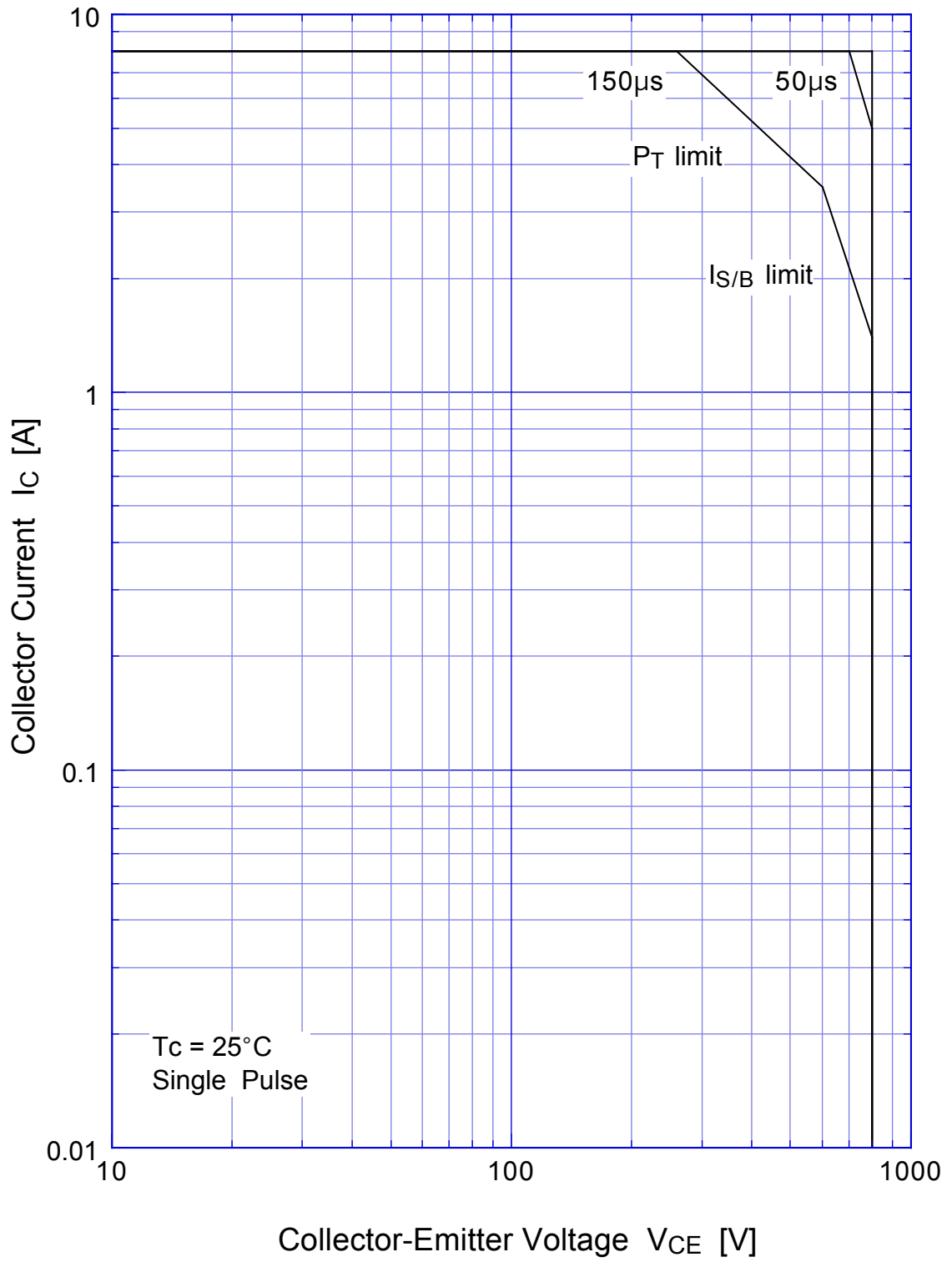
Fig2. Output Voltage/Current

# MA2830 Transient Thermal Impedance



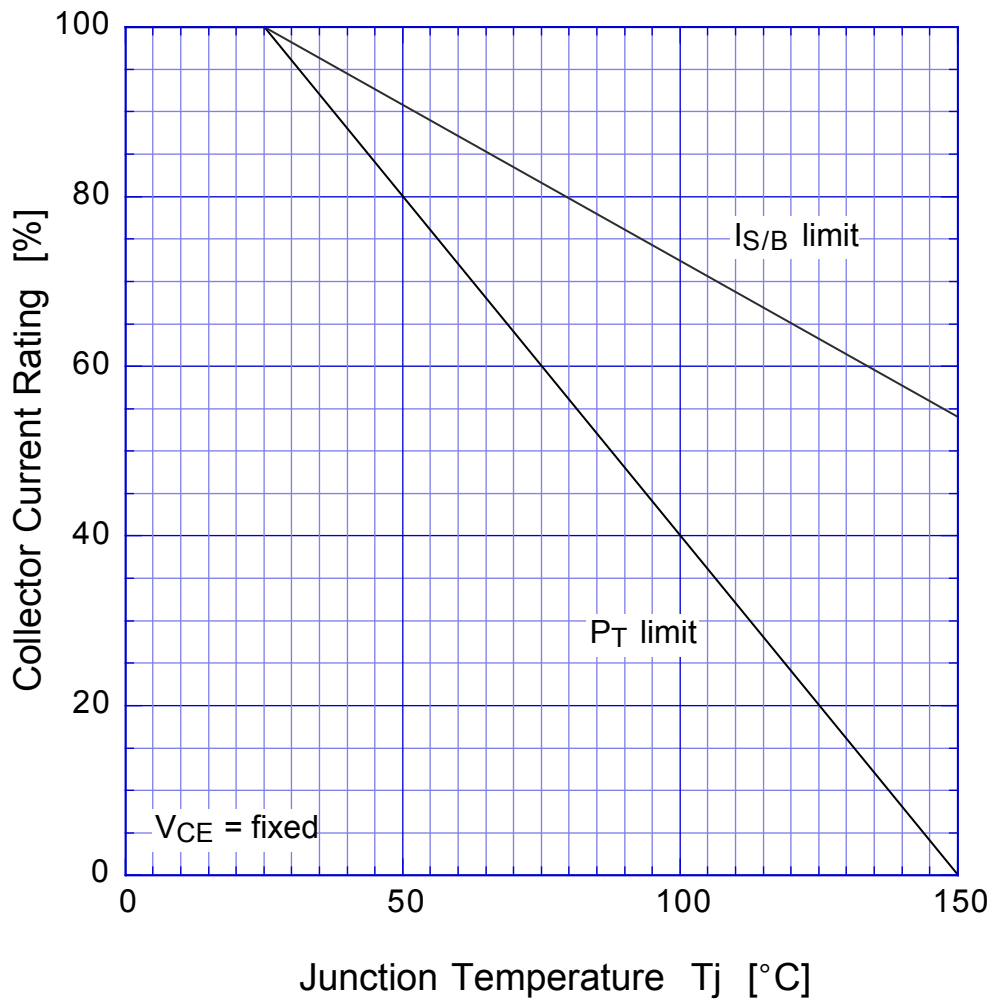
# MA2830

# Forward Bias SOA



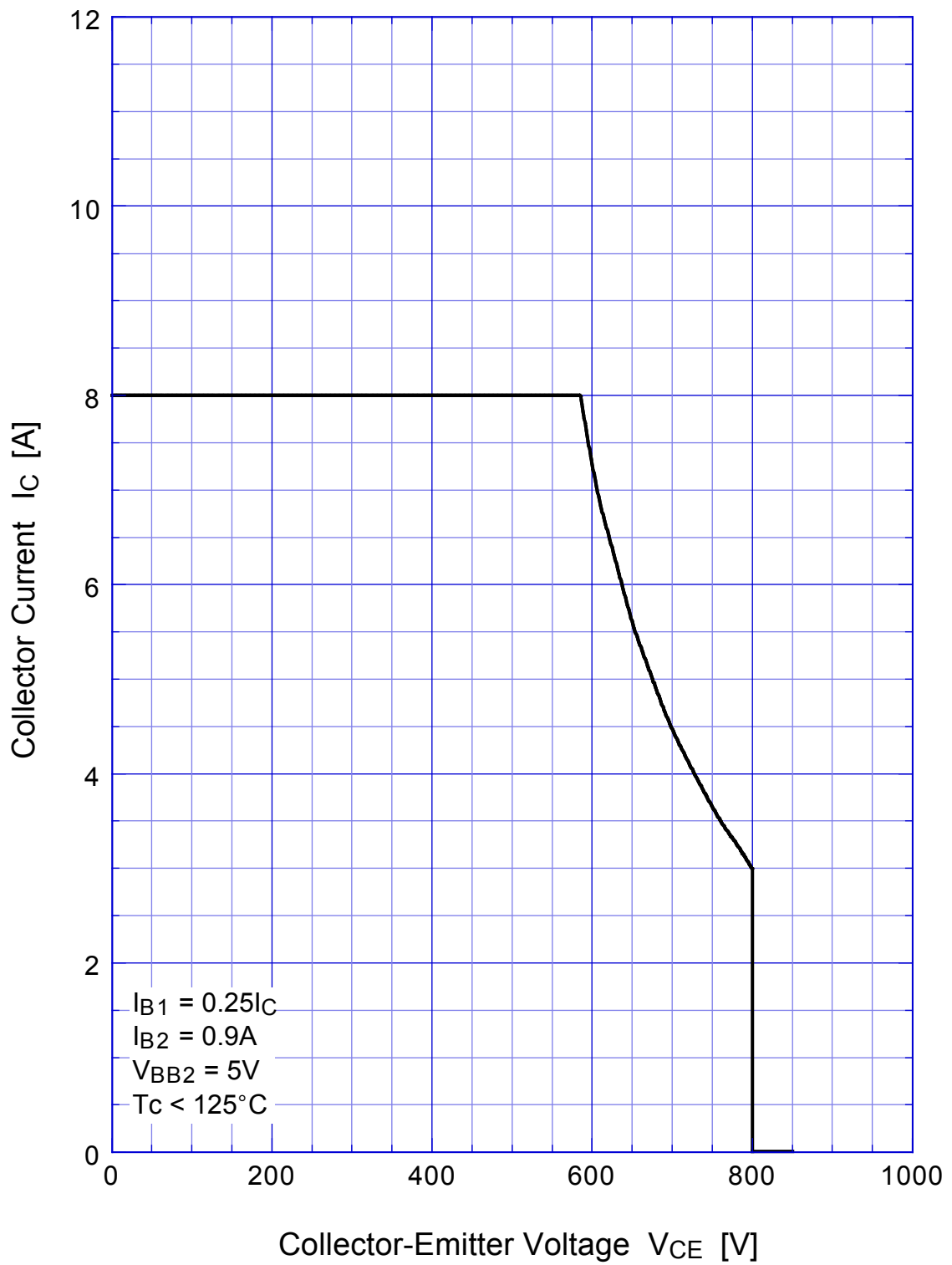
# MA2830

## Collector Current Derating



MA2830

Reverse Bias SOA



MA2830

$h_{FE} - I_C$

